

Knobs

Steel, Zinc Plated

SPECIFICATION

Types

- Type **A**: Without knurl
- Type **B**: With knurl

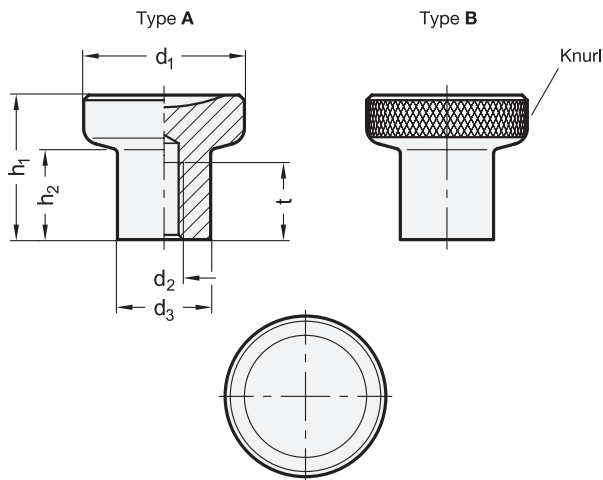
Steel

Zinc plated, blue passivated

INFORMATION

Knobs GN 676.2 are used in applications where a push or pull movement is required. Their concave top gives a more comfortable thumb grip.

The version with knurl (type B) can be used as a knurled nut.



GN 676.2-A

Description	d ₁	d ₂	d ₃	h ₁	h ₂	t min.	Δ
GN 676.2-21-M4-A	21	M 4	12.5	18	10.5	10	27
GN 676.2-21-M5-A	21	M 5	12.5	18	10.5	10	26
GN 676.2-25-M6-A	25	M 6	14.5	22.5	14	12	43
GN 676.2-25-M8-A	25	M 8	14.5	22.5	14	12	41
GN 676.2-31-M8-A	31	M 8	18.5	27	17	15	80
GN 676.2-31-M10-A	31	M 10	18.5	27	17	17	76

GN 676.2-B

Description	d ₁	d ₂	d ₃	h ₁	h ₂	t min.	Δ
GN 676.2-21-M4-B	21	M 4	12.5	18	10.5	10	27
GN 676.2-21-M5-B	21	M 5	12.5	18	10.5	10	26
GN 676.2-25-M6-B	25	M 6	14.5	22.5	14	12	43
GN 676.2-25-M8-B	25	M 8	14.5	22.5	14	12	41
GN 676.2-31-M8-B	31	M 8	18.5	27	17	15	80
GN 676.2-31-M10-B	31	M 10	18.5	27	17	17	76